

GRP Handrail System

GRP Cable Ladder

GRP Cat Ladder

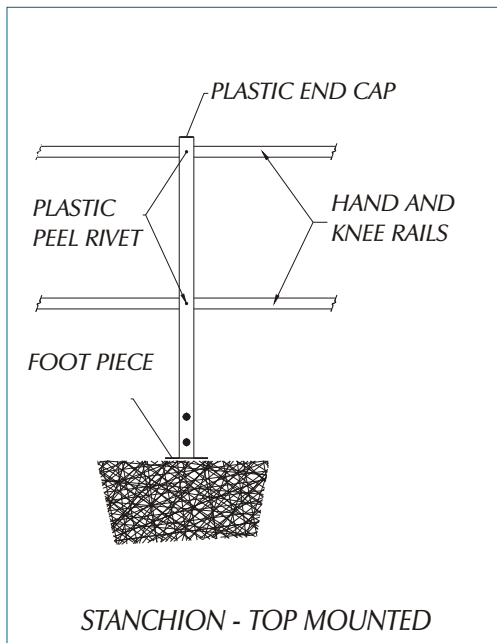
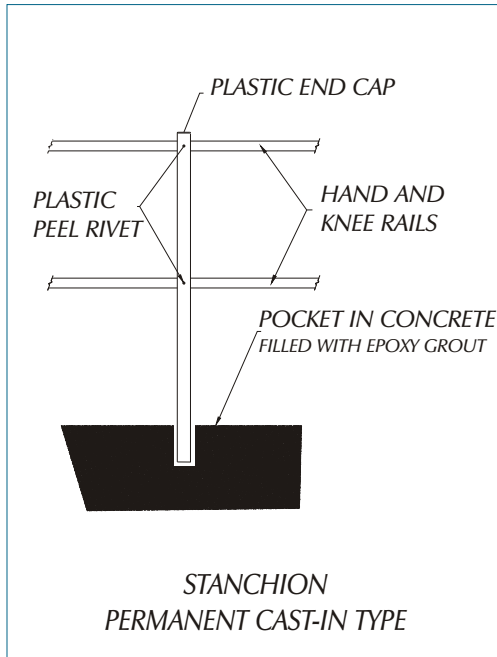
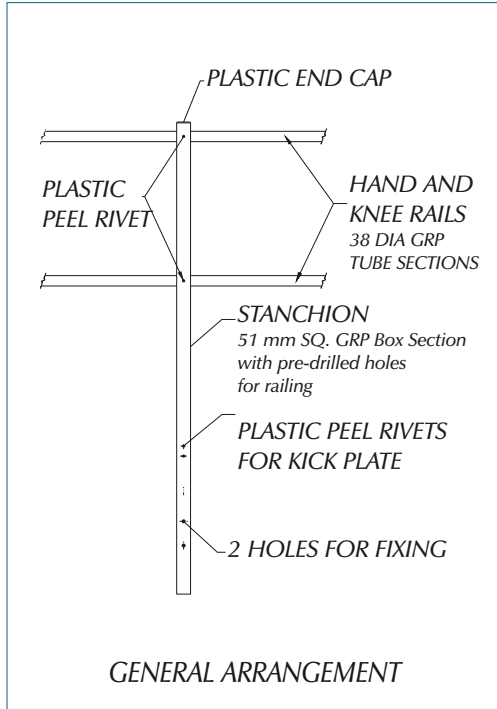
GRP Grating & Stair Treads

The GRP handrail systems are attractive, robust hand railing systems suitable for industrial or architectural applications.

Two options are available:

- Prefabricated handrail panels custom made according to either the customer's drawings or our own site measurements. Complete manufacturing drawings are available on request.
- A standard system consisting of predrilled stanchions with lengths of railing and fittings for the customer to assemble as required.





CONSTRUCTION

Standard System

- A square stanchion is used with round tubing as railing.
- The railing is pushed through predrilled holes in the stanchions.
- All tubing ends in a stanchion therefore no closures or any other fittings are required.
- Fittings are available on request.

Custom Made System

- The custom made panels are prefabricated with square hollow sections for both the stanchions and railing.
- The stanchions are pushed through the railing.
- The panels are ended off using GRP closures protruding beyond the end stanchions.
- Bends and slopes are created using GRP inserts.

For both systems the stanchions can be installed in various ways including:

- Side mounted by bolting it onto the main structure
- Top mounted using a GRP or Stainless steel foot piece.
- Cast into concrete using a pocket mechanism.

DESIGN CONSIDERATIONS

- The handrail is designed to meet the requirements of the U.S. Department of Labour Occupational Safety & Health Administration (OSHA) Section 1910.23
- Normal height of the top rail is 1100mm on a horizontal level.
- Normal height of the top rail is 900mm above pitch line on staircases.
- A detail Fibretek Specification for GRP hand rail is available on request.

